

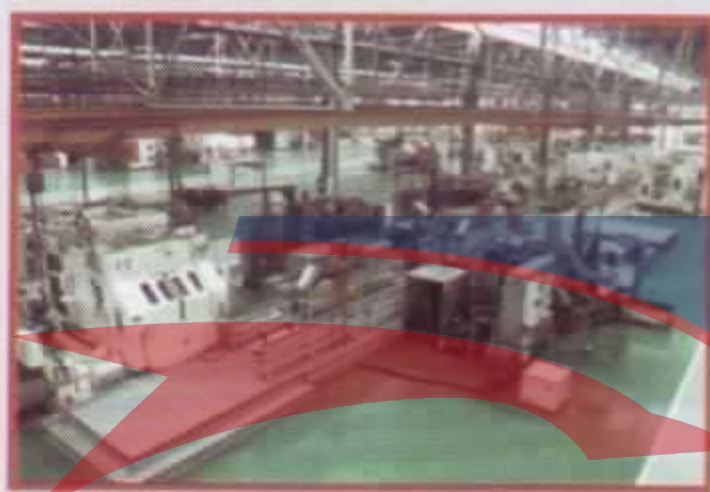
INNOVATE AND CONTRIBUTE

We shoulder the heavy responsibility of the times
Carrying the mission of Chinese creation
Every innovation will become the golden stone to change the pattern
Behind the innovation is the Qingling people.
Perseverance and belief in China's automobile industry
Through technological innovation
Create greater value for customers
Through service innovation
Provide customers with more intimate and more convenient services
Through ideas Innovation
Set benchmarking for Chinese commercial vehicle manufacturing industry
Responsibility and innovation of Qingling
Not just a distant view of the future and fantasy
But let every customer get up close
To feel the innovative temperature



POWERSTAR





POWER STAR



GIGA ES010

GIGA continues the design style of the Isuzu family, while emphasizing power, it also shows a soft sense of experience, trendy cockpit design, European full-scale cab, the latest and most reliable new generation of ZF Ecosplit4 gearbox, the vehicle is more powerful and fuel-efficient.

Cab



The most suitable design for optimal aerodynamic performance

Control the front width of the cab, optimize the wind direction of the front corner of the vehicle, and adopt a streamlined shape to reduce the wind resistance on the side of the rear body to obtain the best aerodynamic performance, which helps to reduce fuel consumption.



Large Sleeper

The double sleepers' s design is suitable for international demand. The interior of the cab is spacious. Drivers can easily stand upright and sit while resting on the sleeper.

POWER STAR

Highly integrated "comfort" and "efficiency", focusing on "Reduce driving fatigue" for a comfortable driving environment



Semi-enclosed aviation cockpit design



Properly configure the switch partition according to the frequency of use



Multifunction 4-inch LCD display for "easy to understand"



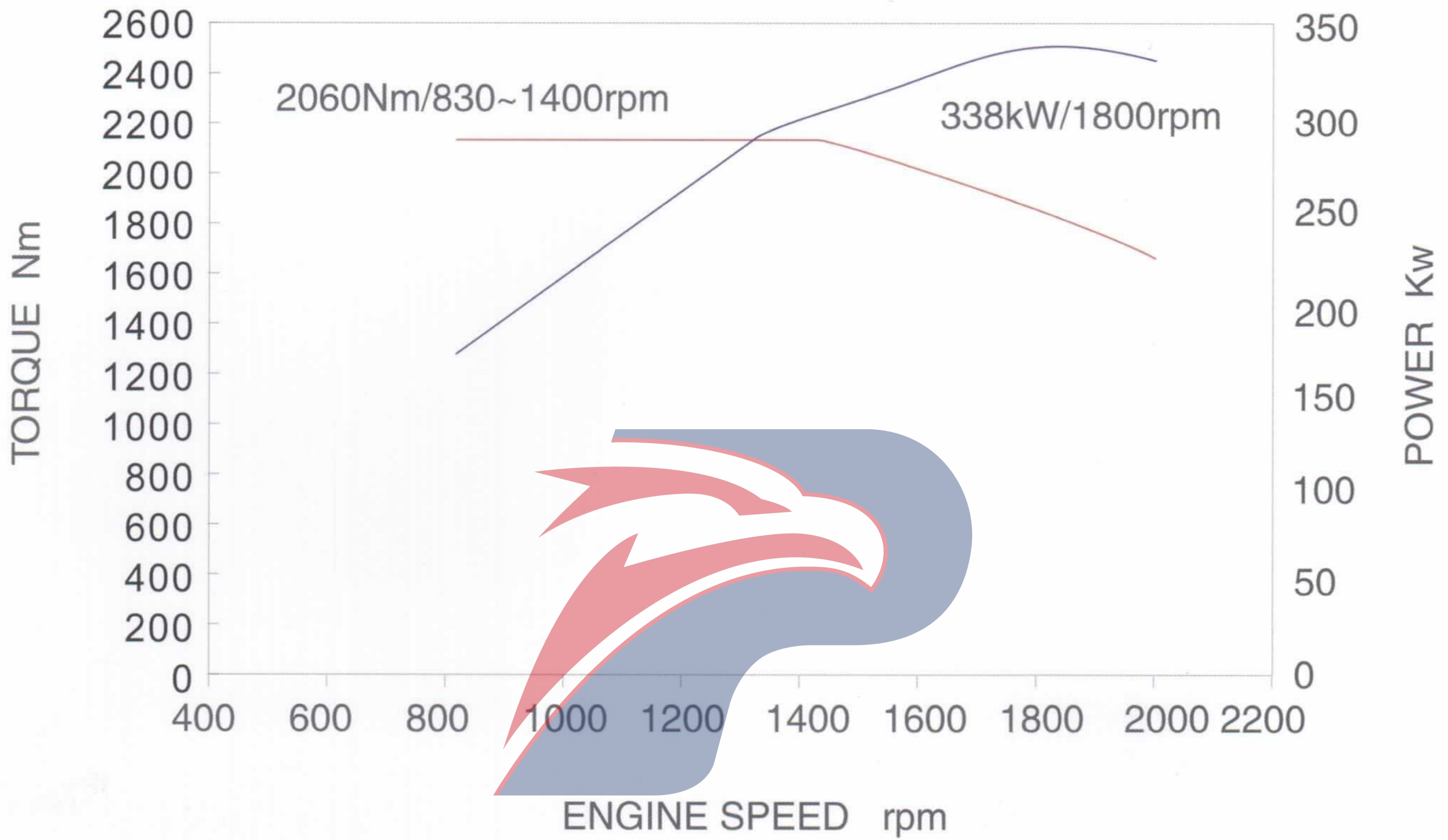
Multifunction steering wheel



Shoulder strap integrated air suspension seat

Engine

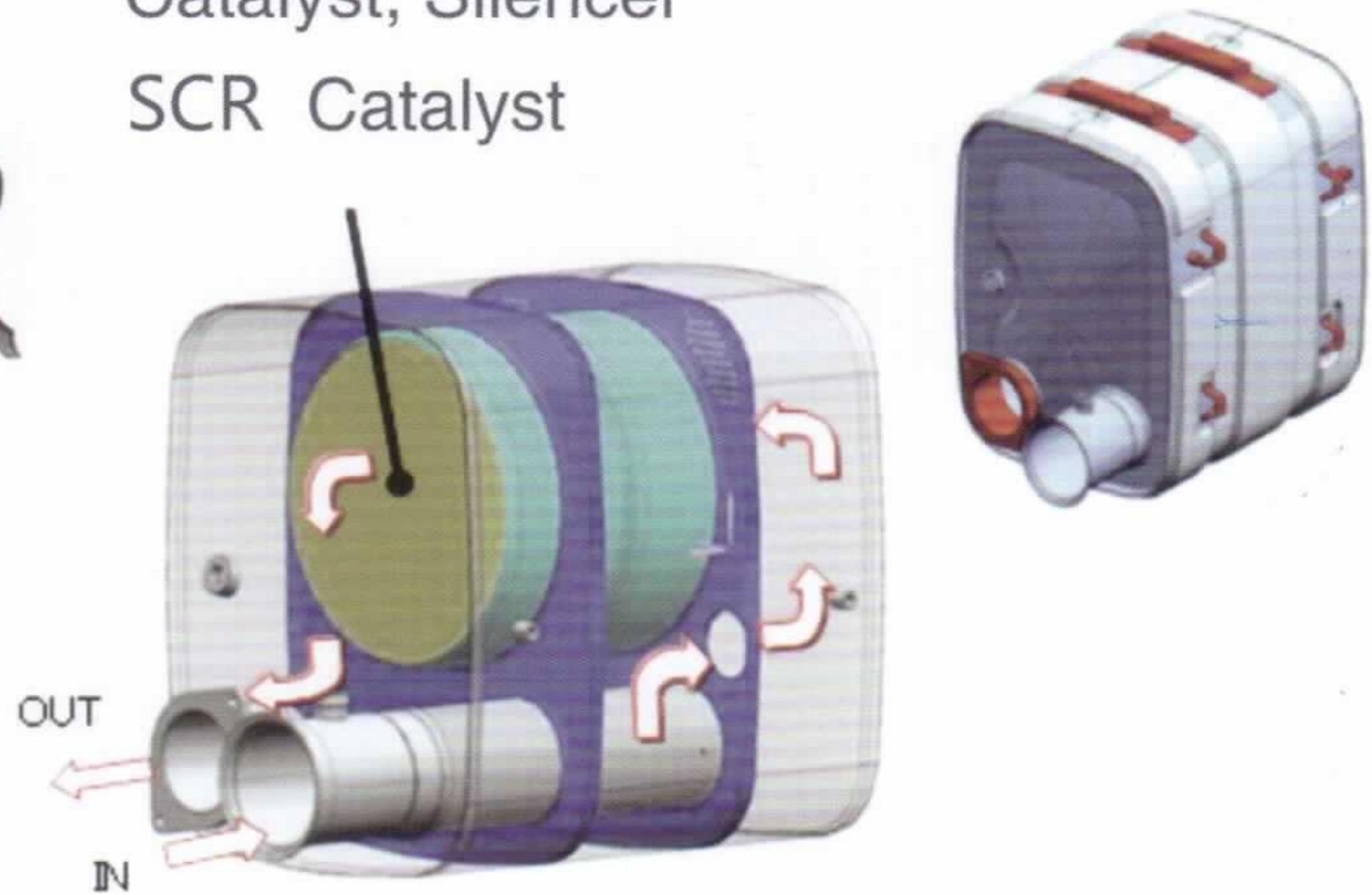
Pursuing the fuel consumption performance of the practical speed region with high frequency of use, from pressurization to cooling and fuel injection, we seek to maximize to reduce fuel consumption.



POWERSTAR

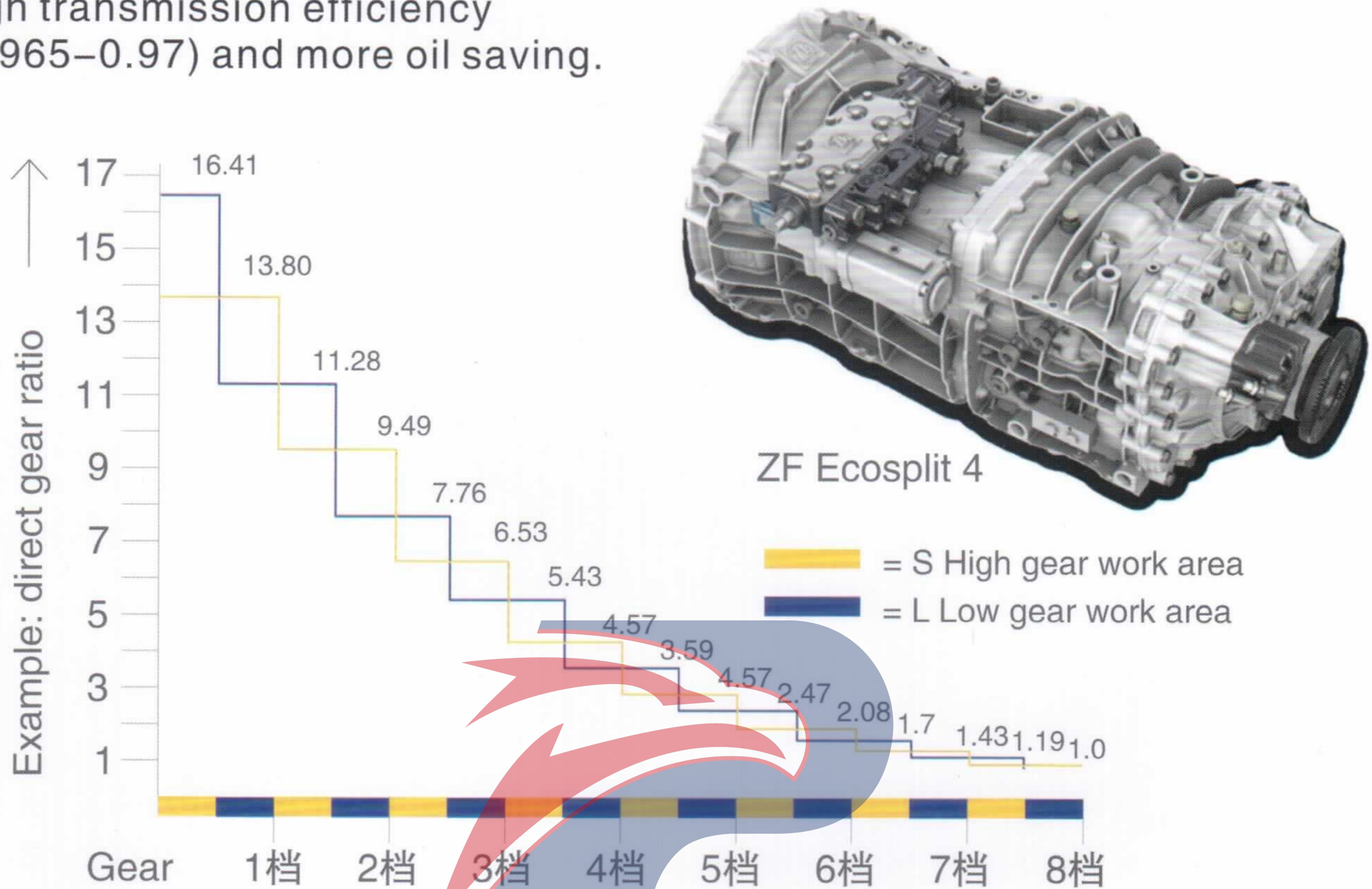


EGP
EGP (Exhaust Gas Processor)
Catalyst, Silencer
SCR Catalyst



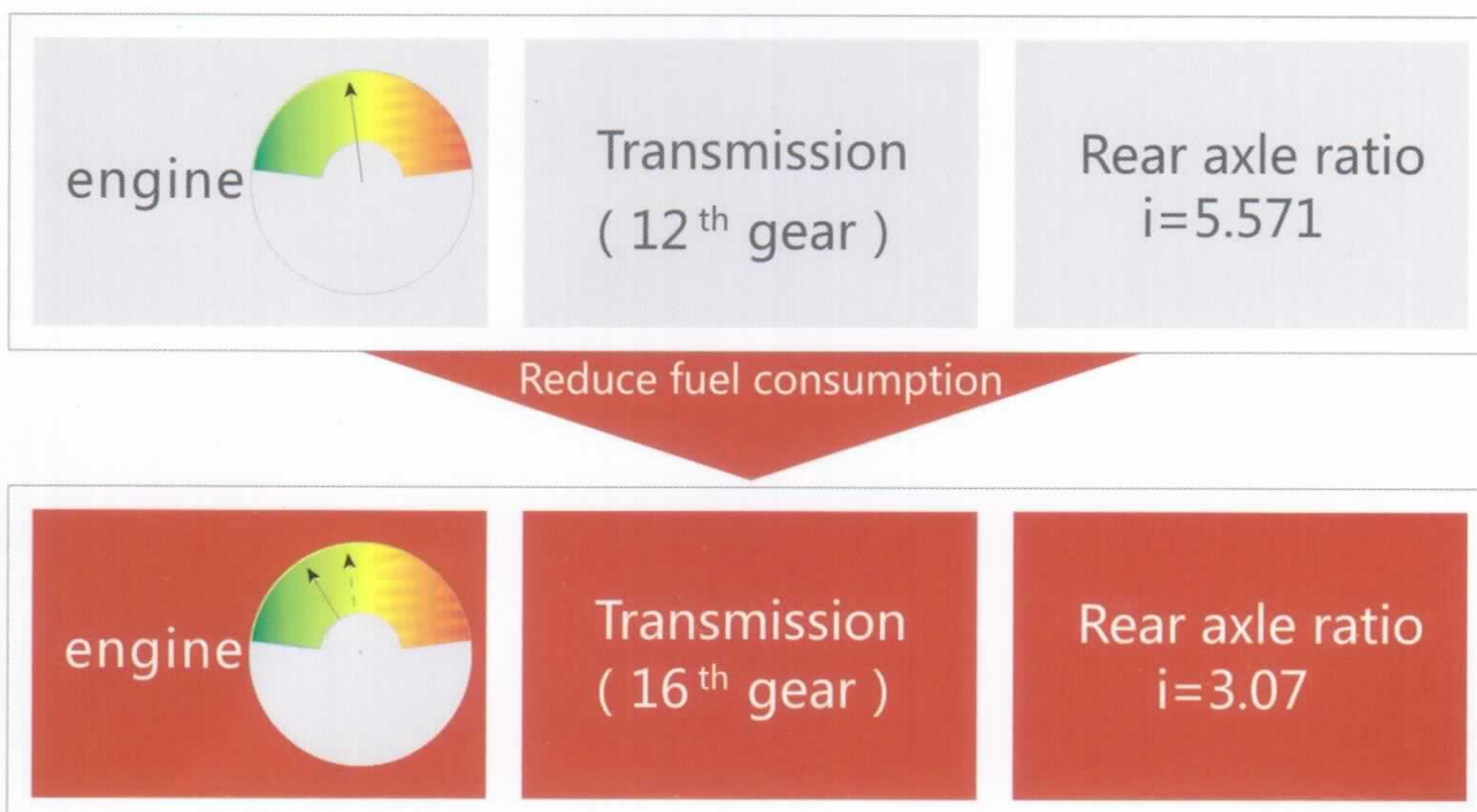
Transmission

The latest and most reliable new generation ZF Ecosplit 4 gearbox has high transmission efficiency (0.965–0.97) and more oil saving.



Axle

High-torque engine with 16 Gear/ Engine/Engine transmission and small speed ratio rear axle, so that the engine always works in the most economical speed range, reducing vehicle fuel consumption. In order to adapt to different regions and different loads, we offer a variety of speed ratios for customers to choose.



RETTED

GIGAE

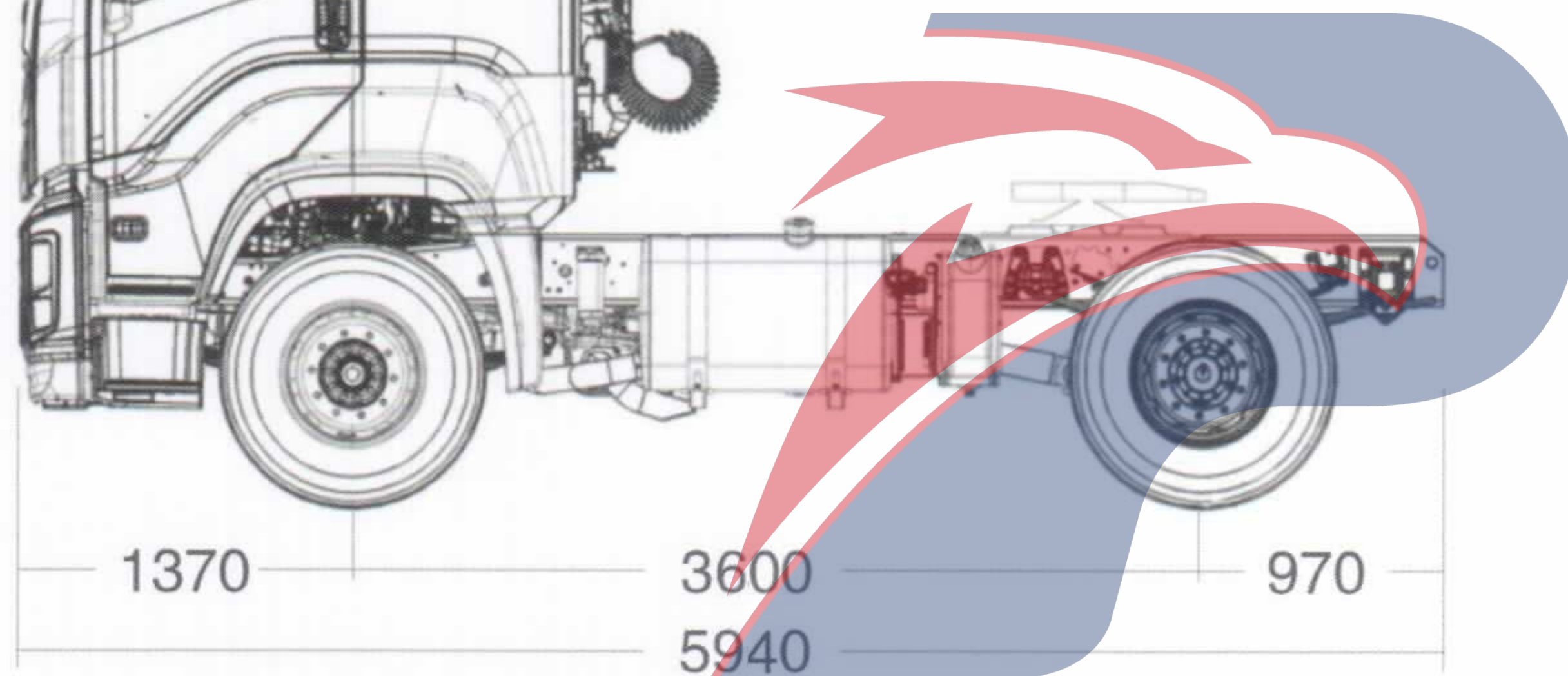


Tractor 4 × 2

Drive type: 4 × 2

Engine horsepower: 380PS, 420PS, 460PS

Wheelbase (mm): 3600/3900



POWERSTAR

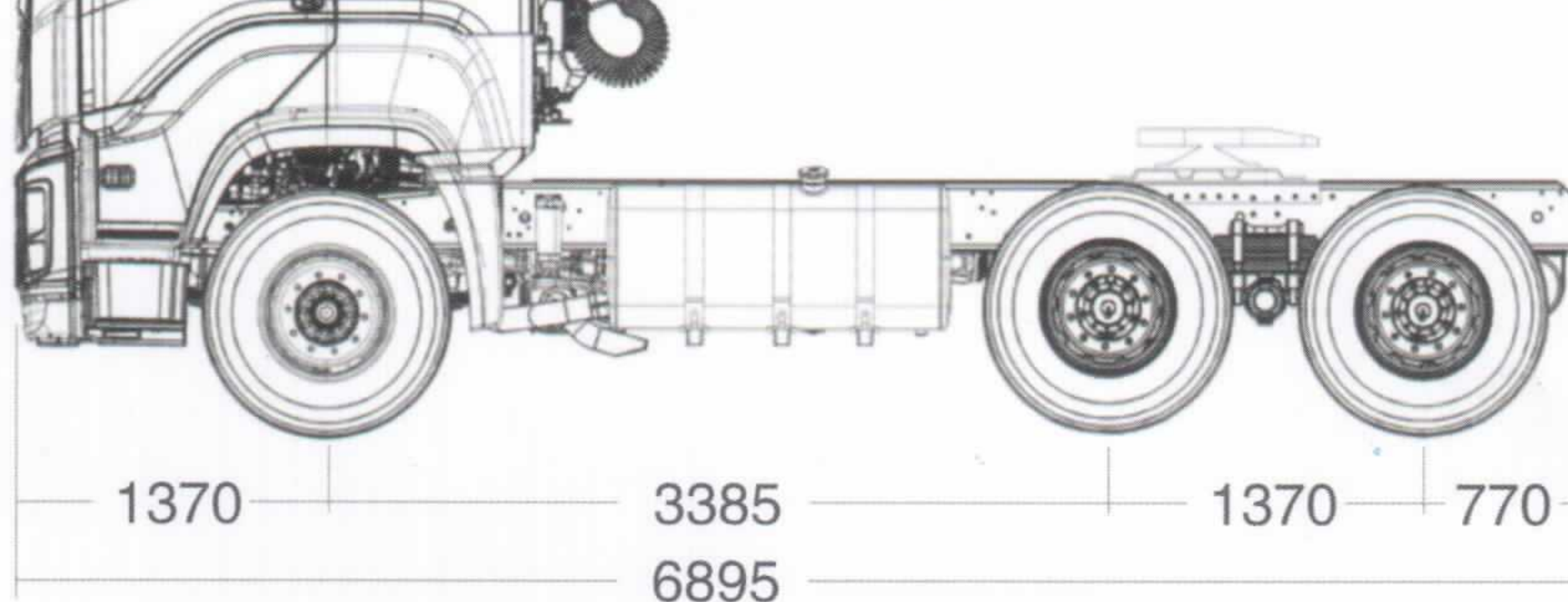


Tractor 6 × 4

Drive type: 6 × 4

Engine horsepower: 420PS, 460PS, 520PS

Wheelbase (mm): 3385+1370



VEHICLE

Refrigerated truck chassis

Drive type: 8 × 4

Engine horsepower: 380PS, 420PS, 460PS, 520PS

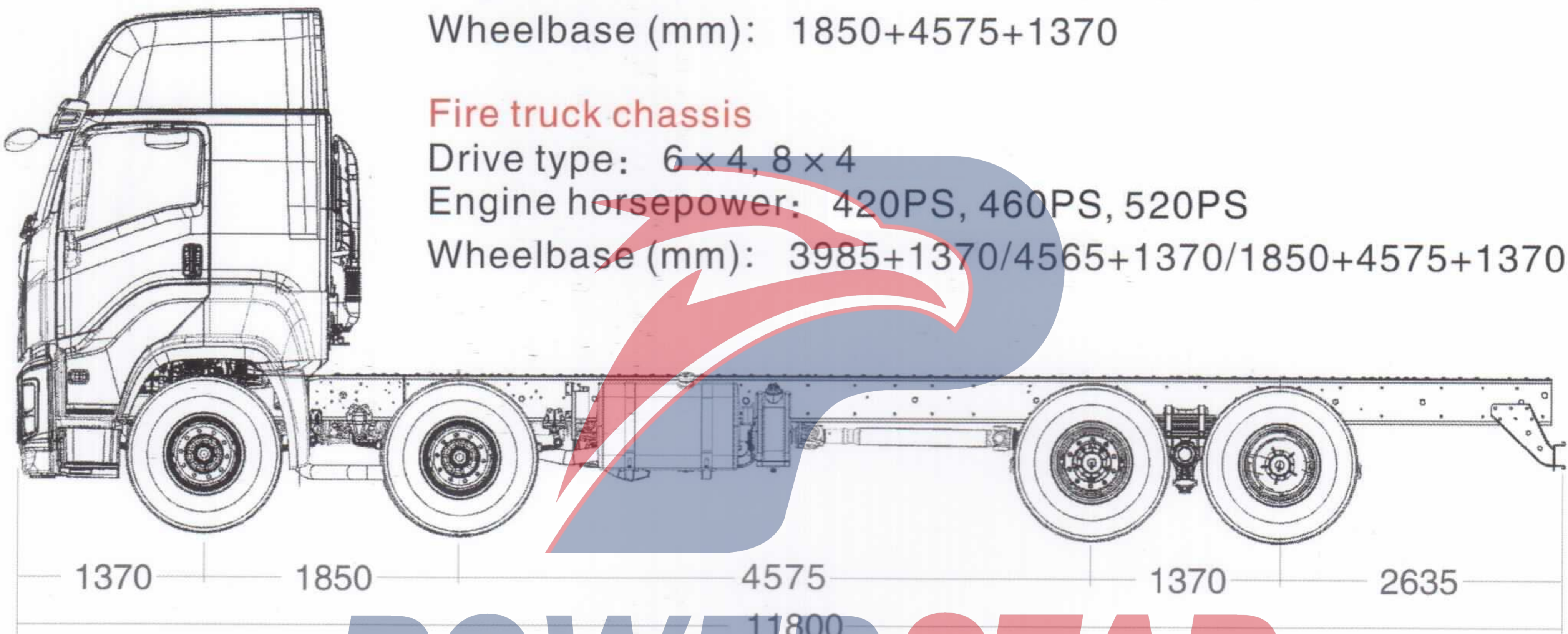
Wheelbase (mm): 1850+4575+1370

Fire truck chassis

Drive type: 6 × 4, 8 × 4

Engine horsepower: 420PS, 460PS, 520PS

Wheelbase (mm): 3985+1370/4565+1370/1850+4575+1370



POWERSTAR

Mixer truck chassis

Drive type: 6 × 4, 8 × 4

Engine horsepower: 350PS, 380PS, 420PS, 460PS, 520PS

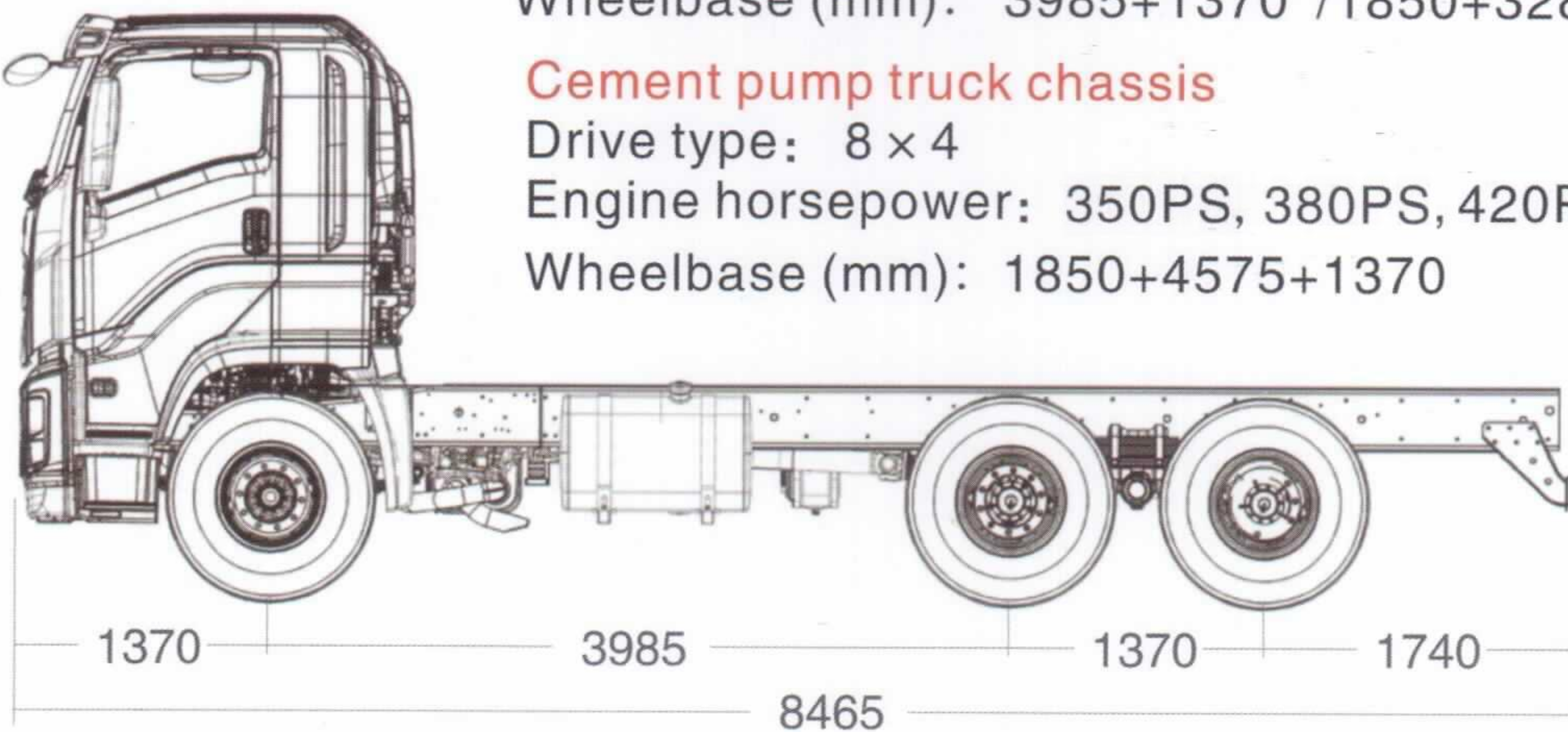
Wheelbase (mm): 3985+1370 / 1850+3280+1370

Cement pump truck chassis

Drive type: 8 × 4

Engine horsepower: 350PS, 380PS, 420PS, 460PS, 520PS

Wheelbase (mm): 1850+4575+1370



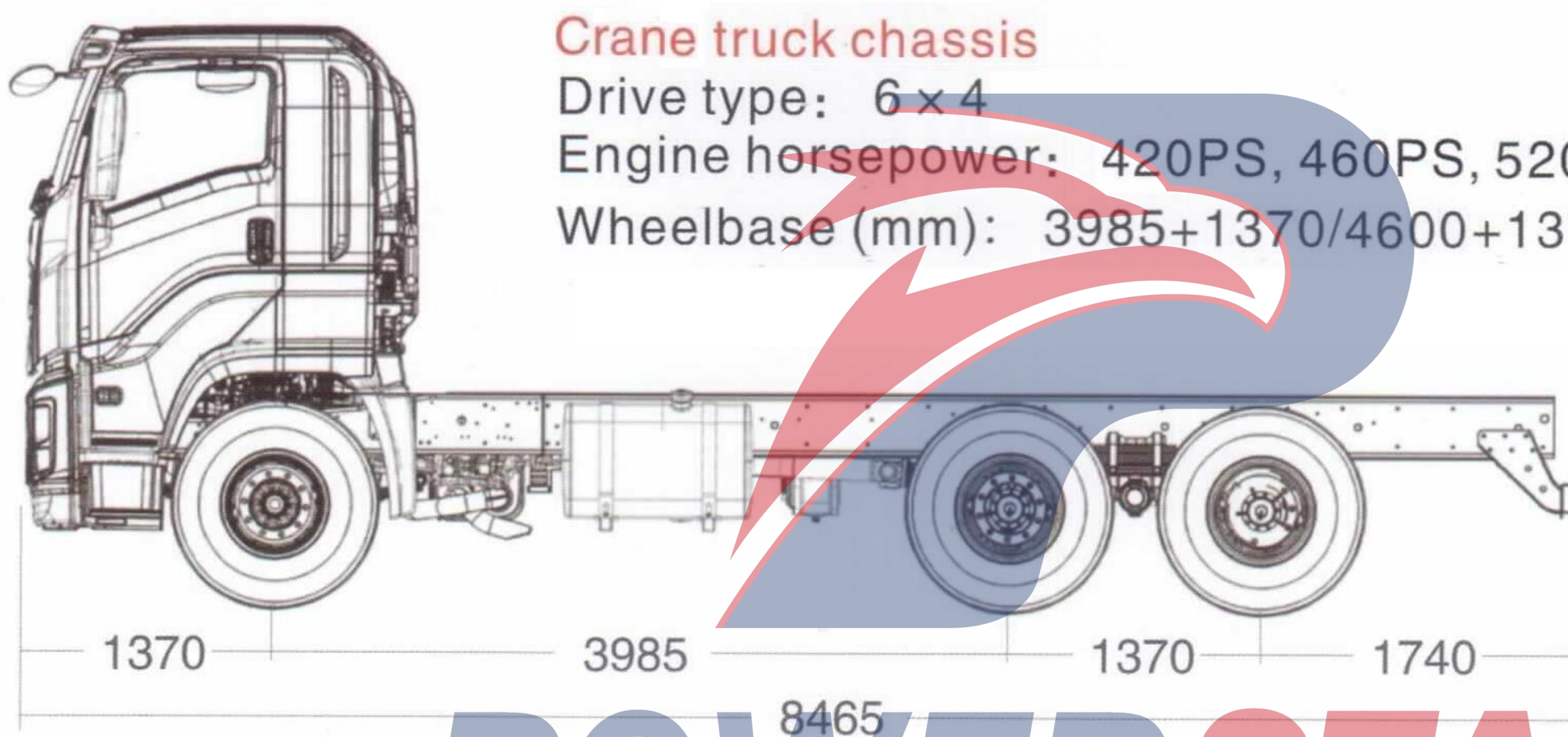
VEHICLE

Fuel truck chassis

Drive type: 4 × 2, 8 × 4, 8 × 4

Engine horsepower: 350PS, 380PS, 420PS, 460PS

Wheelbase (mm): 3985+1370/4600+1370/1850+4575+1370/4600



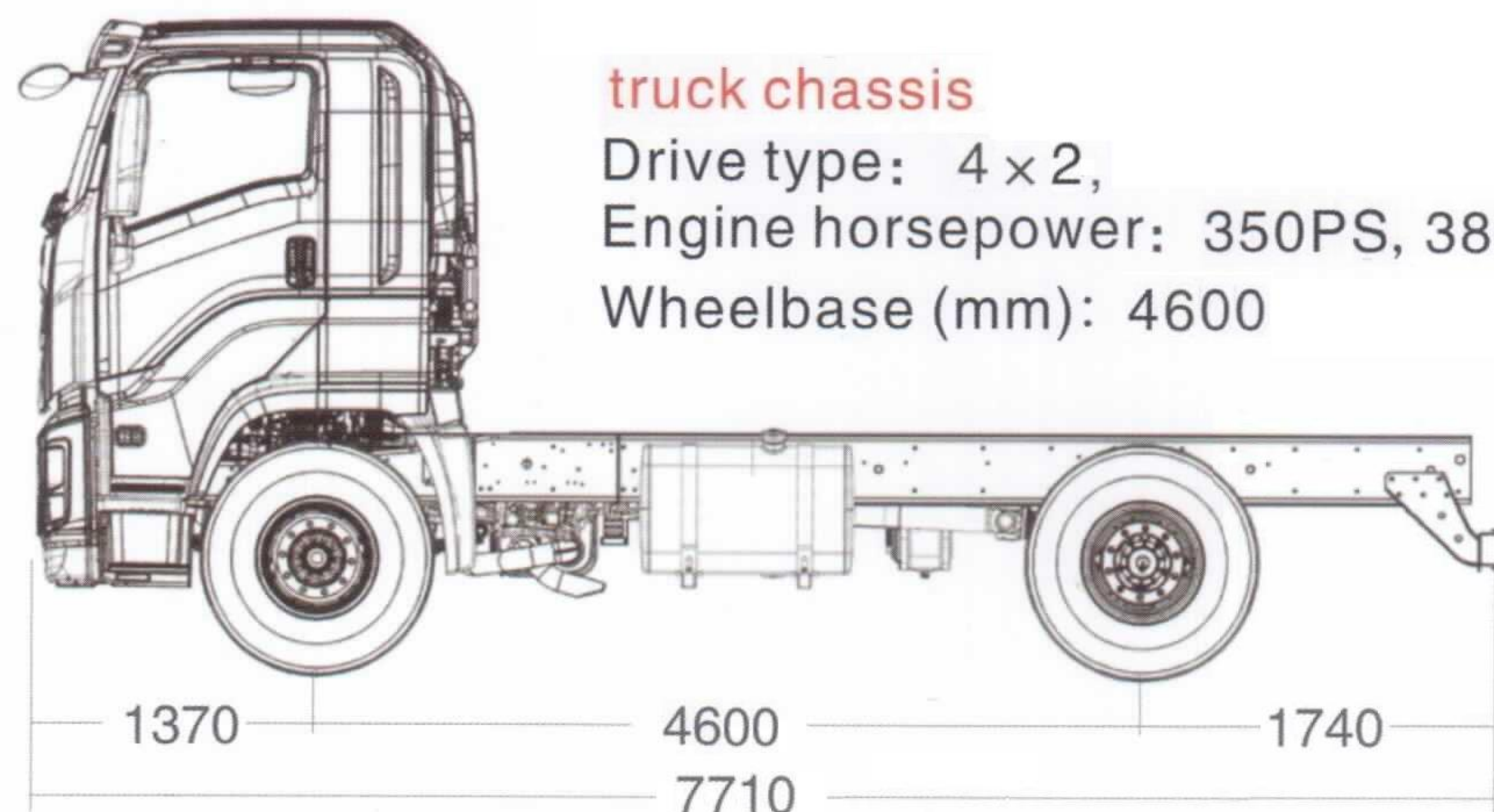
Crane truck chassis

Drive type: 6 × 4

Engine horsepower: 420PS, 460PS, 520PS

Wheelbase (mm): 3985+1370/4600+1370/1850+4575+1370

POWERSTAR



truck chassis

Drive type: 4 × 2,

Engine horsepower: 350PS, 380PS, 420PS, 460PS

Wheelbase (mm): 4600